

SINGER
93220

LIST OF PARTS

Sewing Machine Models

93220

From the library of: Diamond Needle Corp

by **SINGER®**



A Publication of Product Support
International Group Engineering

PartNo.317161- 080

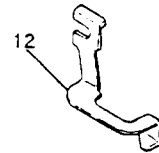
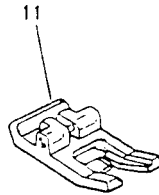
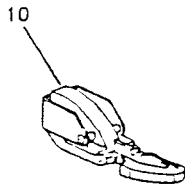
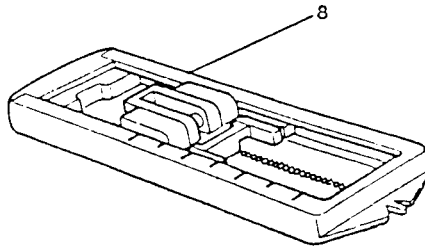
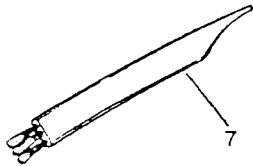
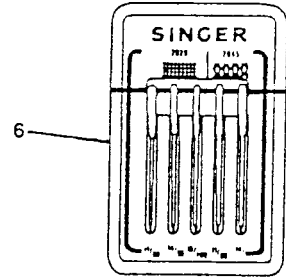
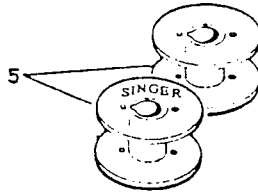
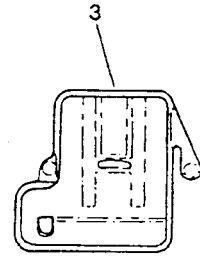
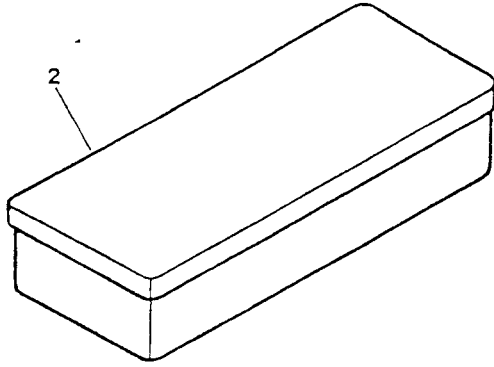
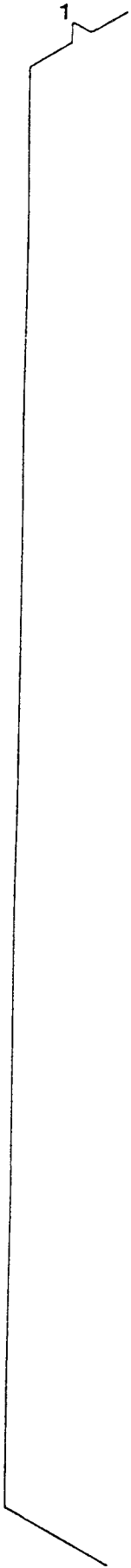
Printed in Taiwan

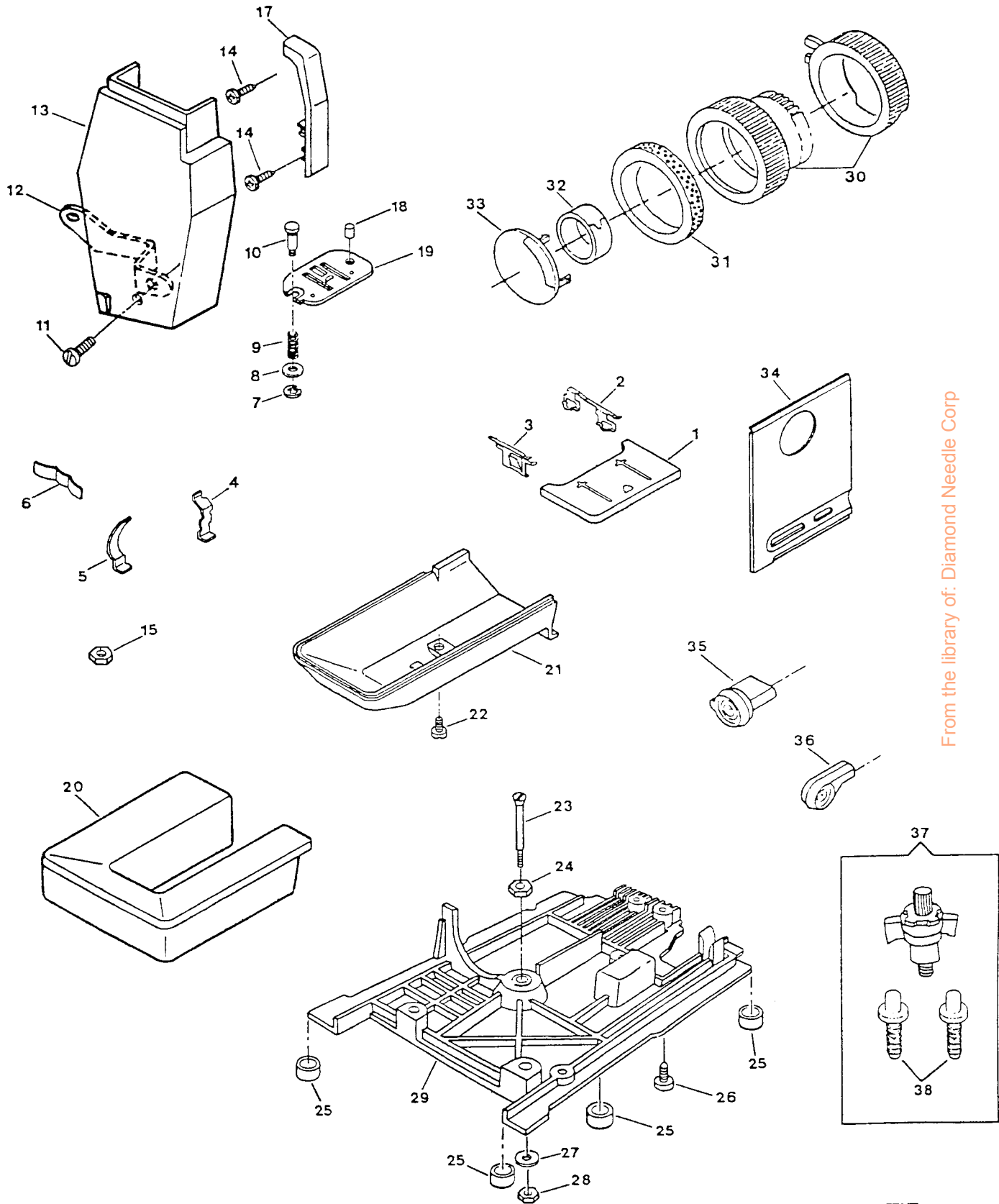
INDEX

PAGE NO.	SUBASSEMBLY
1 , 2	ATTACHMENT SET
3 , 4	COVERS AND ADD ONS
5 , 6	ARM TOP COVER
7 , 8	ARM SHAFT DRIVE SYSTEM
9 , 10	HAND WHEEL
11, 12	COAXIAL PRESSER BAR SYSTEM
13, 14	NEEDLE BAR & THREAD TAKE-UP
15, 16	ALPHA FEED
17, 18	HOOK SYSTEM (APOLLO)
19, 22	PATTERN, STITCH LENGTH CONTROL & CAM CONTROLLED FEED
23, 24	DEMAND RESPONSIVE NEEDLE TENSION SYTEM
25, 28	ELECTRICAL EQUIPMENT
25, 30	OPTIONAL ACCESSORIES

ATTACHMENT SET
MODEL: 93220N603

REF. PART NO.	NO.	DESCRIPTION
1	313030-942	ATTACHMENT COMPLETE (IN ACCESSORY BOX)
2	402673-455	ACCESSORY BOX COMPLETE
3	313117	FEED COVER PLATE
5	172336-001	BOBBIN (APOLLO)
6	353364	NEEDLE PACK
7	546358-453	LINT BRUSH
8	313992-451	PRESSER FOOT PLATE (4-STEPS) FOR SEWING BUTTONHOLE
10	171480	PRESSER FOOT PLATE FOR CORDING AND SLIDE FASTENERS COMPLETE
11	171463	SPECIAL PURPOSE PRESSER FOOT PLATE
12	171110	BLINDSTITCH GUIDE





From the library of: Diamond Needle Corp

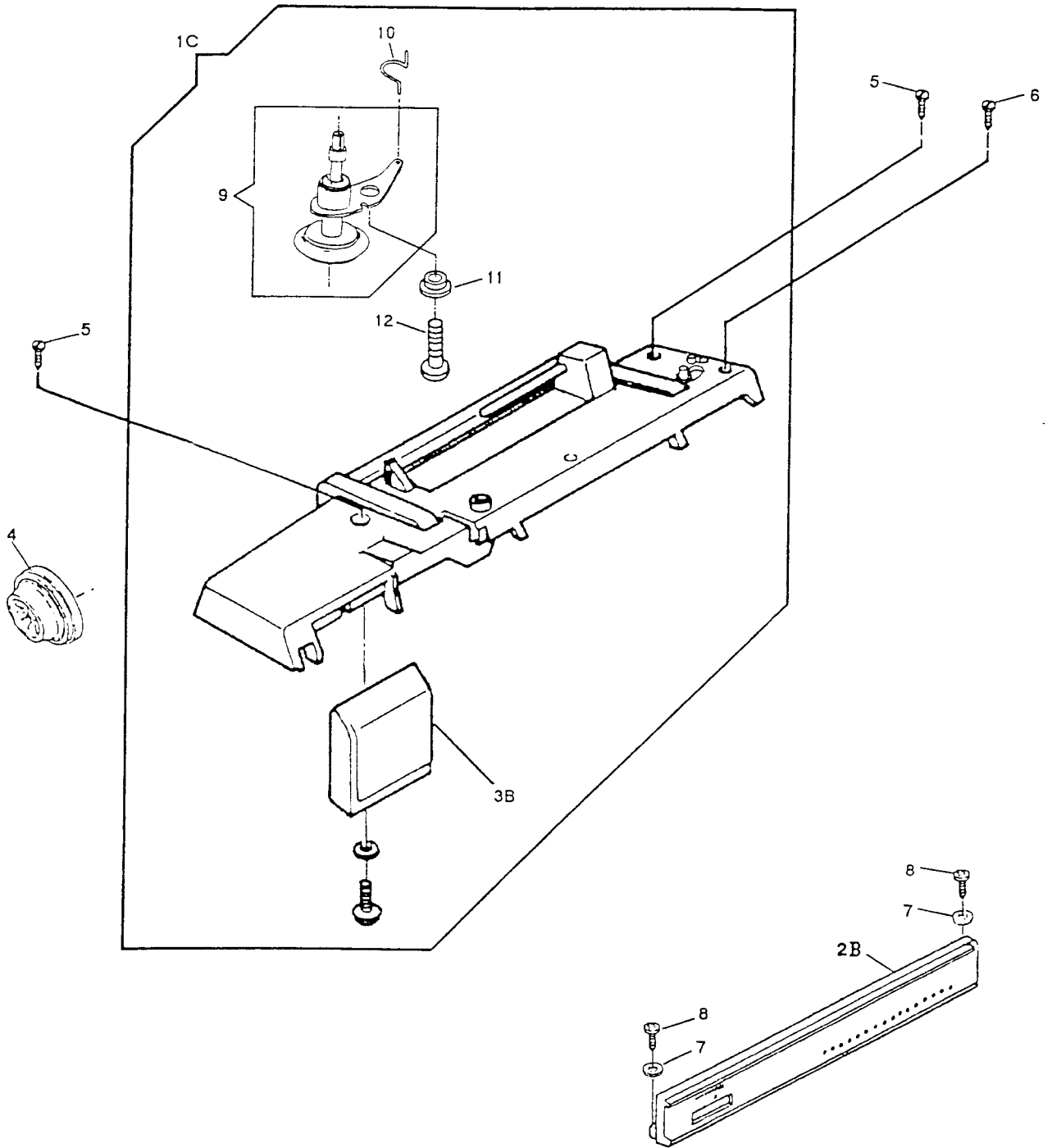
COVERS AND ADD ONS

MODEL: 93220N603

REF. NO.	PART NO.	DESCRIPTION
1	314666	BED SLIDE ASSEMBLY COMPLETE (APOLLO)
2	314669	BED SLIDE SPRING (RIGHT)
3	314670	BED SLIDE SPRING (LEFT)
4	313178	BED SLIDE STOP
5	313179	BED SLIDE STOP SPRING
6	313118	CLOTH PLATE SPRING
7	313098	THROAT PLATE POUNGER RETAINING RING
8	549426-451	THROAT PLATE PUNGER WASHER
9	312805	THROAT PLATE PLUNGER SPRING
10	312804	THROAT PLATE PLUNGER
11	137250-451	FACE PLATE MOUNTING SCREW
13	314259-008	FACE PLATE COMPLETE (#3913)
14	113470-003	THREAD TAKE-UP COVER MOUNTING SCREW
15	313049	BED INSERT NUT
17	137915-010	THREAD TAKE-UP COVER COMPLETE WITH GRAPHICS
18	353624	THROAT PLATE LOCATING PIN
19	312777	THROAT PLATE FOR ZIG-ZAG SEWING
20	317361-452	CLOTH PLATE
21	312773-452	BED COVER (TUBULAR)
22	354633-452	BED COVER (TUBULAR) SCREW
23	313052-451	BOTTOM COVER MOUNTING BOLT
24	313173-451	BOTTOM COVER MOUNTING BOLT RETAINING NUT
25	313909-451	BED LEG CUSHION
26	113455-002	BED COVER PLATE (BOTTOM) SCREW
27	314712-451	BOTTOM COVER MOUNTING BOLT WASHER
28	313177-452	BOTTOM COVER MOUNTING BOLT MOUNTING NUT
29	314774-001	BED COVER PLATE (BOTTOM)
30	317087-002	PATTERN SELECTOR KNOB AND STITCH BALANCE KNOB ASSEMBLY
31	317363-453	PATTERN SELECTOR KNOB COVER
32	313535	PATTERN SELECTOR KNOB COMPRESSION RING
33	137895-451	PATTERN SELECTOR KNOB COVER
34	317070-925	STITCH LENGTH PANEL (HARMONIE)
35	317079-452	REVERSE FEED CONTROL LEVER KNOB (PLASTIC)
36	317075-452	STITCH LENGTH, BIGHT AMPLITUDE AND TENSION REGULATING
37	313180	MACHINE HOLD DOWN MOUNTING KIT
38	148869	MACHINE LOCATOR PIN

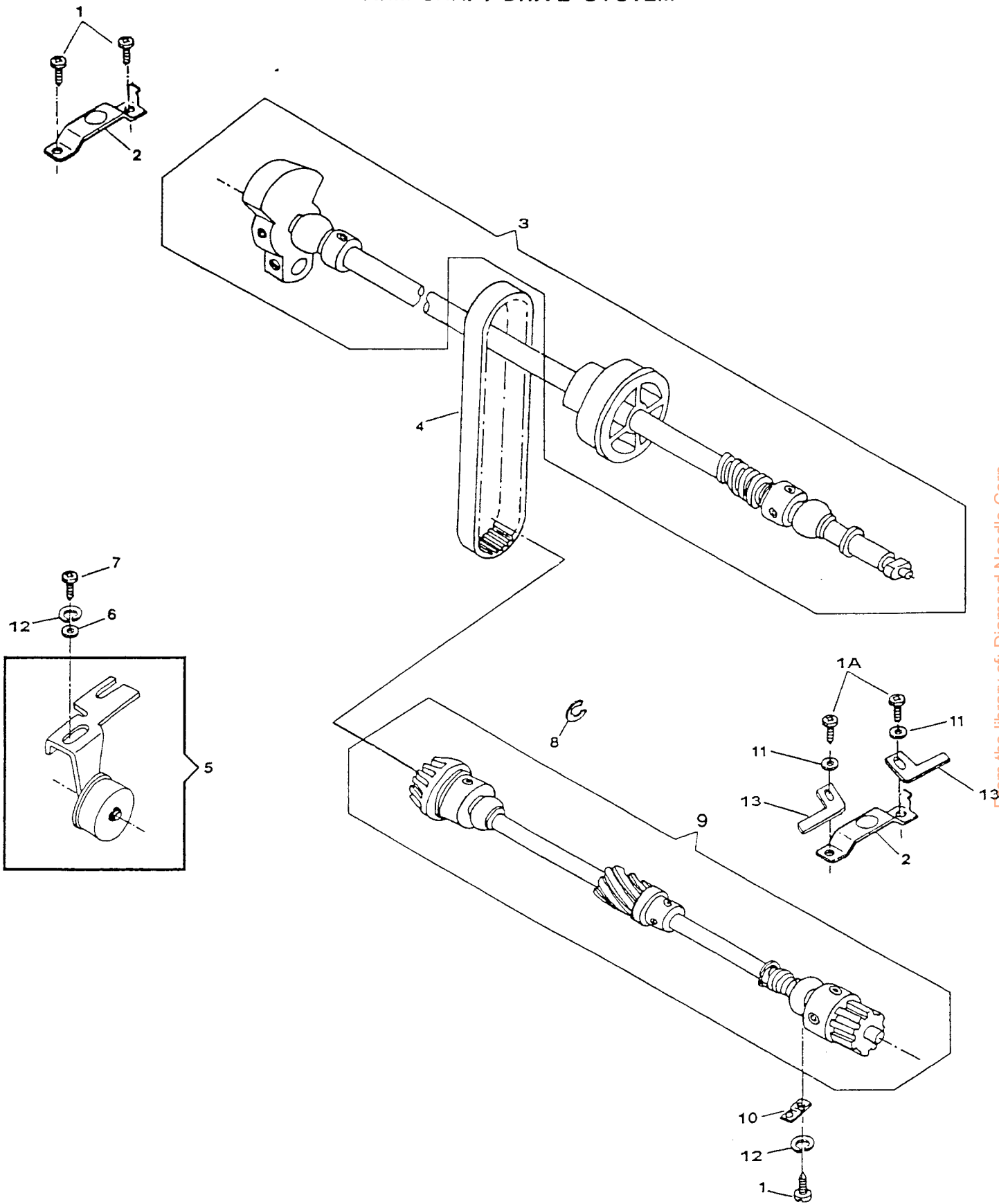
ARM TOP COVER
MODEL: 93220N603

REF. PART NO. NO.	DESCRIPTION
1C 137715-005	ARM TOP COVER ASSEMBLY WITH HANDLE
2B 137894-451	CONTROL PANEL WITH GRAPHICS
3B 317369-912	CONTROL PANEL EXTENSION WITH GRAPHICS
4 179967-461	SPOOL PIN THREAD LEAD-OFF
5 354927-001	ARM TOP COVER MOUNTING SCREW
6 354954-451	ARM TOP COVER MOUNTING SCREW (RIGHT FRONT)
7 502495-451	CONTROL PANEL MOUNTING SCREW WASHER
8 113455-001	CONTROL PANEL MOUNTING SCREW
9 312901	BOBBIN WINDER ASSEMBLY
10 312897	BOBBIN WINDER LEVER SPRING
11 312613	BOBBIN WINDER LEVER HINGE SCREW SHOULDER WASHER
12 113372-451	BOBBIN WINDER LEVER HINGE SCREW



From the library of: Diamond Needle Corp

ARM SHAFT DRIVE SYSTEM



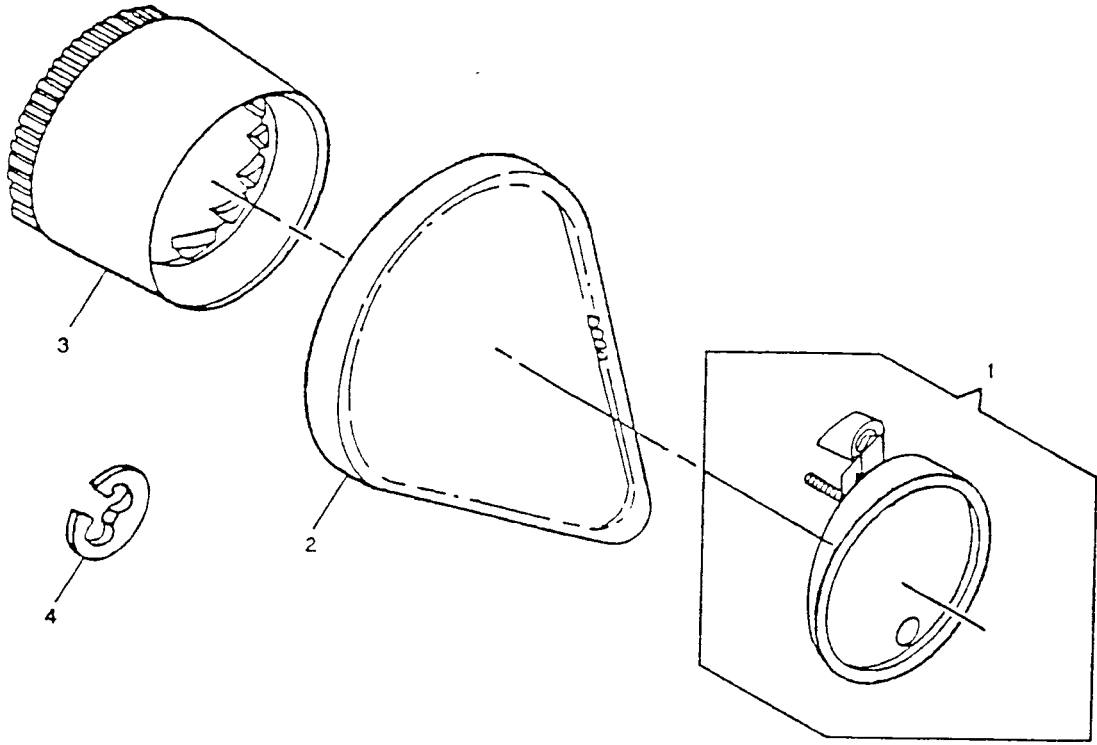
From the library of: Diamond Needle Corp

ARM SHAFT DRIVE SYSTEM
MODEL: 93220N603

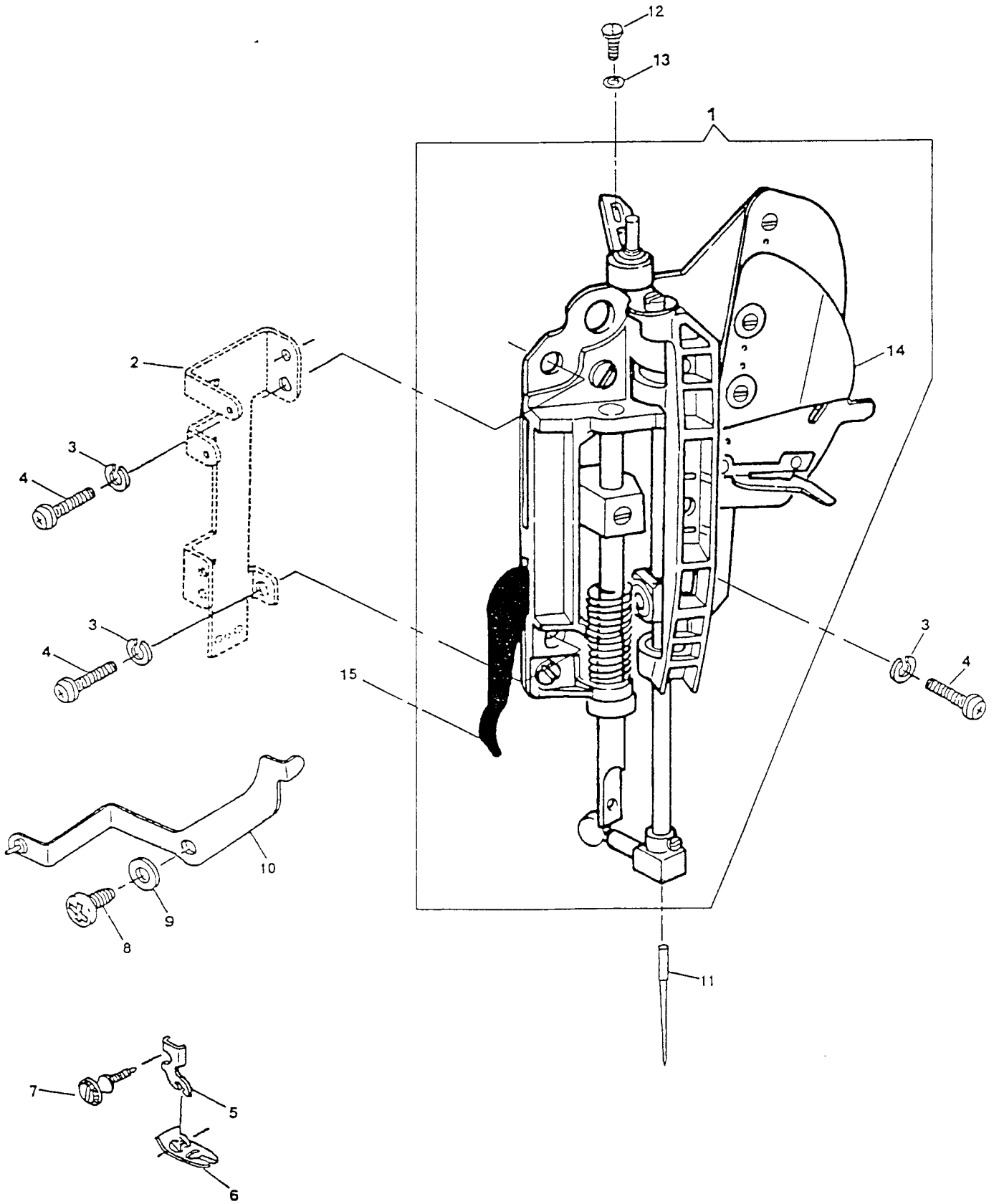
REF. PART NO.	NO.	DESCRIPTION
1	113455-002	ARM SHAFT (HORIZONTAL) BUSHING (LEFT) CLAMP SCREW
1A	113455-004	ARM SHAFT (HORIZONTAL) BUSHING (RIGHT) CLAMP SCREW
2	312796	ARM SHAFT (HORIZONTAL) BUSHING (LEFG & RIGHT) CLAMP
3	313111-002	ARM SHAFT ASSEMBLY (APOLLO)
4	603975-011	BELT (ROTATING HOOK DRIVE)
5	313195	IDLER BRACKET ASSEMBLY
6	314041-451	ROTATING HOOK DRIVING BELT TENSION ADJUSTER SCREW WASHER
7	113455-002	ROTATING HOOK DRIVING BELT TENSION ADJUSTER SCREW
8	313153	HAND WHEEL RETAINING RING
9	370560	ROTATING HOOK DRIVE SHAFT SUB-ASSEMBLY
10	313816	ROTATING HOOK DRIVE SHAFT BUSHING (SELF-ALIGNING) CLAMP
11	316164	WASHER, ROTATING HOOK DRIVE SHAFT BUSHING (SELF-ALIGNING) CLAMP SCREW
12	314013-451	LOCK WASHER, ROTATING HOOK DRIVING BELT TENSION ADJUSTER SCREW
13	137873	MOTOR BELT STOP PLATE

HAND WHEEL
MODEL: 93220N603

REF. PART NO.	PART NO.	DESCRIPTION
1	316070-001	HAND WHEEL CLUTCH PLATE ASSEMBLY
2	312628-001	BELT (MOTOR DRIVE) ALT: 979285-001
3	137892-451	HAND WHEEL
4	313153	HAND WHEEL RETAINING RING



From the library of: Diamond Needle Corp



From the library of: Diamond Needle Corp

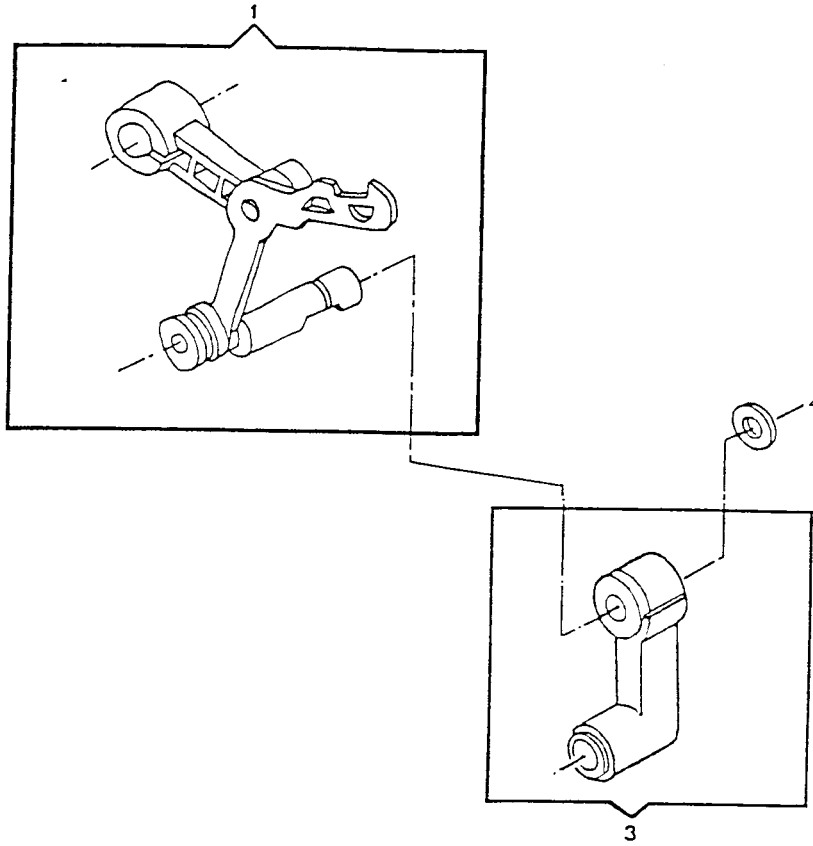
COAXIAL PRESSER BAR SYSTEM

MODEL: 93220N603

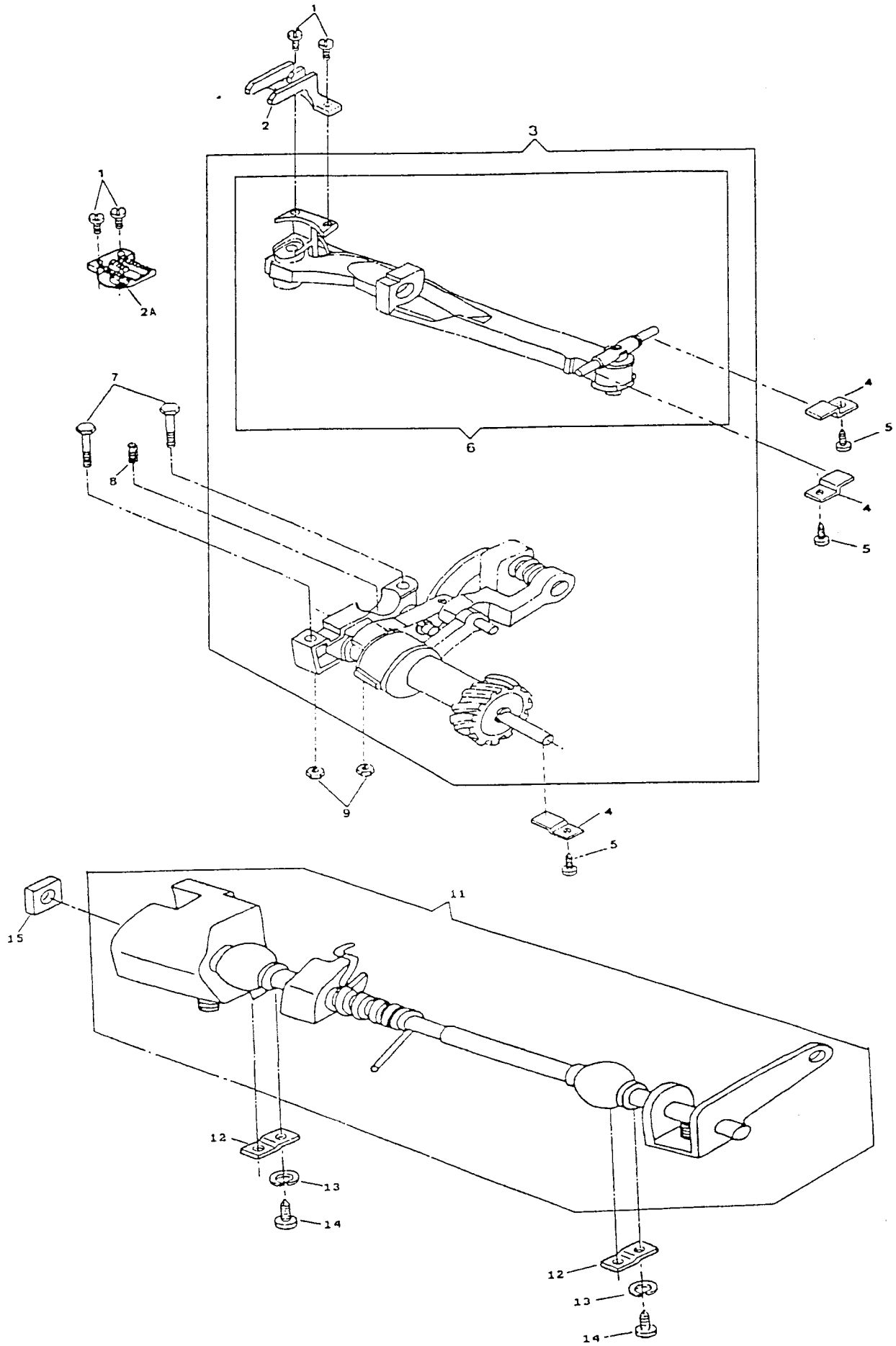
REF. NO.	PART NO.	DESCRIPTION
1	314695-002	HEAD END MODULE (APOLLO)
2	314591	FACE PLATE MOUNTING BRACKET
3	313955-451	HEAD END MOUNTING PLATE LOCK WASHER
4	113455-012	HEAD END MOUNTING PLATE SCREW
5	163706-451	PRESSER FOOT SHANK (SNAP-ON)
6	313150	PRESSER FOOT PLATE (SNAP-ON) FOR ZIG-ZAG SEWING
7	113531-451	PRESSER FOOT THUMB SCREW
8	113455-001	NEEDLE THREAD TENSION RELEASE LEVER HINGE SCREW
9	314041-451	NEEDLE THREAD TENSION RELEASE LEVER RETAINING WASHER
10	314589	NEEDLE THREAD TENSION RELEASE LEVER ASSEMBLY
11	N2020-014	NEEDLE (SIZE NO.14)
12	113408-001	NEEDLE BAR DRIVING ARM BALL JOINT SCREW
13	931929-004	NEEDLE BAR DRIVING ARM BALL JOINT SCREW WASHER
14	314690	THREAD PINCH PLATE
15	314582	PRESSER BAR LIFTER

NEEDLE BAR & THREAD TAKE-UP
MODEL: 93220N603

REF. PART NO.	PART NO.	DESCRIPTION
1	314694	THREAD TAKE-UP COMPLETE (APOLLO)
2	137528-901	NEEDLE BAR CONNECTING LINK
3	314071	WASHER, THREAD TAKE-UP LEVER



ALPHA FEED



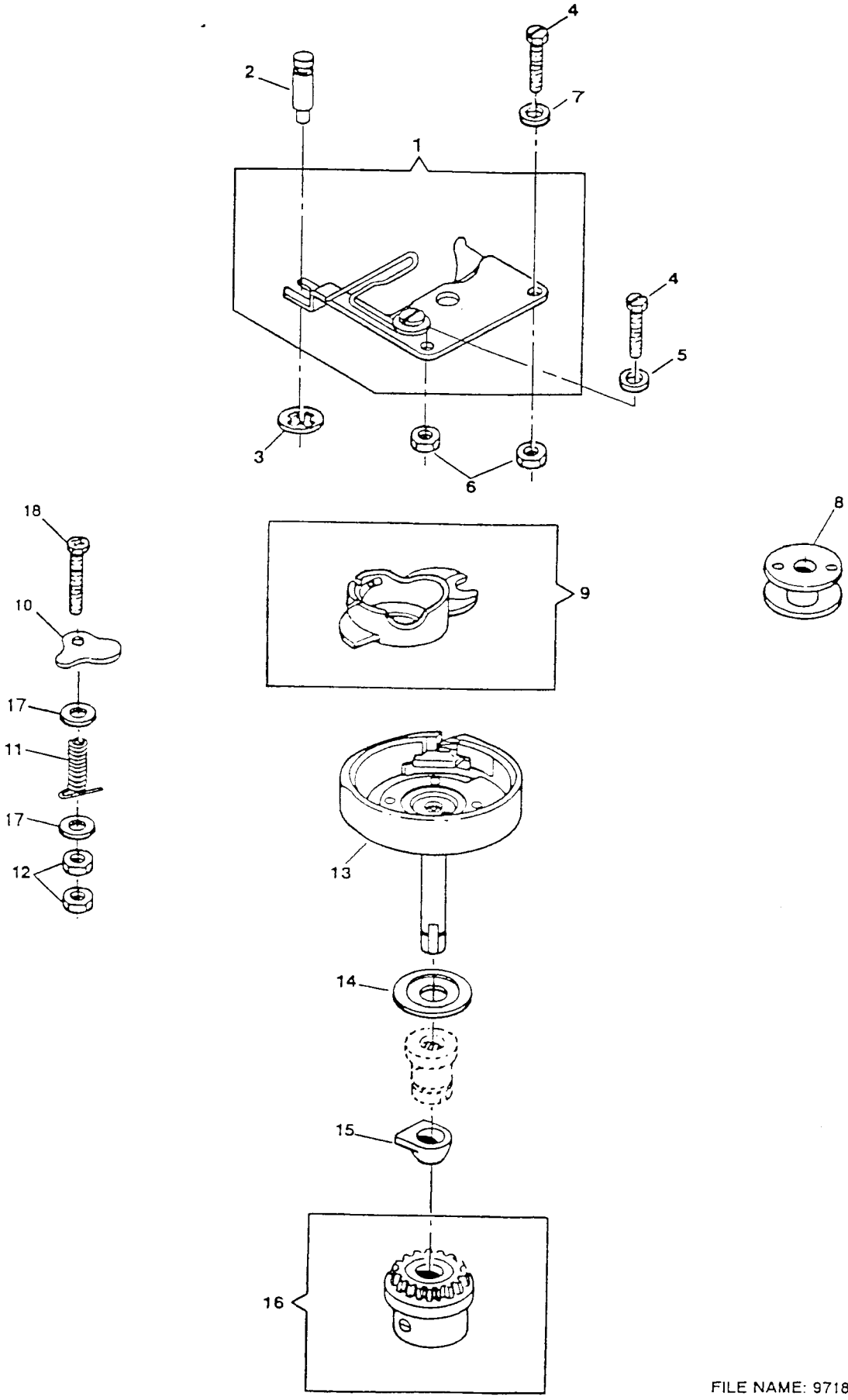
From the library of: Diamond Needle Corp

ALPHA FEED
MODEL: 93220N603

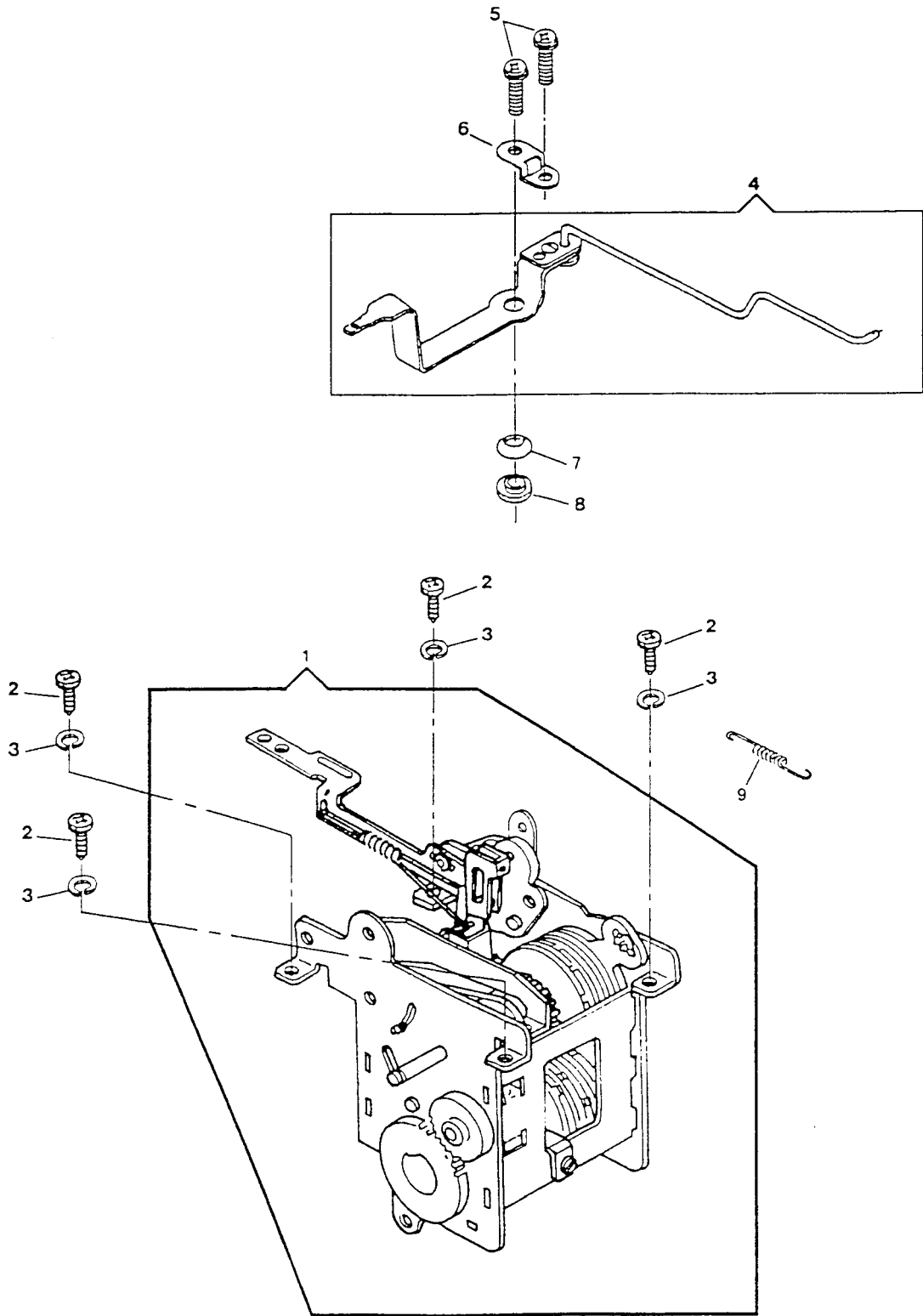
REF. PART NO.	PART NO.	DESCRIPTION
1	141920-452	FEED DOG SCREW
2A	312679	FEED DOG (APOLLO)
3	313011	ALPHA FEED MODULE
4	312851	FEED BAR PIVOT HING STUD CLAMP
5	113455-003	CLAMP SCREW
6	314141	FEED BAR ASSEMBLY
7	354921-451	FEED & ROTATING HOOK DRIVE SHAFT BEARING BLOCK SCREW
8	314070	ROTATING HOOK DRIVE SHAFT BUSHING SPING
9	514674-451	FEED & ROTATING HOOK DRIVE SHAFT BEARING BLOCK MOUNTING SCREW NUT
11	313133	FEED REGULATOR SHAFT ASSEMBLY
12	313816	FEED REGULATOR SHAFT BUSHING (SELF-ALIGNING) CLAMP
13	314013-451	FEED REGULATOR SHAFT BUSHING (SELF-ALIGNING) CLAMP SCREW LOCK WASHER
14	113455-001	FEED REGULATOR SHAFT BUSHING (SELF-ALIGNING) CLAMP SCREW
15	511030	FEED REGULATOR SLIDE BLOCK

HOOK SYSTEM (APOLLO)
MODEL: 93220N603

REF. PART NO.	NO.	DESCRIPTION
1	313089	ROTATING HOOK BOBBIN CASE POSITION PLATE ASSEMBLY
2	312603	ROTATING HOOK BOBBIN CASE POSITION PLATE HOLD DOWN STUD
3	313161	ROTATING HOOK BOBBIN CASE POSITION PLATE HOLD DOWN STUD RETAINER
4	113439-451	ROTATING HOOK BOBBIN CASE POSITION PLATE SCREW
5	313190-451	ROTATING HOOK BOBBIN CASE POSITION PLATE SCREW WASHER
6	313945-451	ROTATING HOOK BOBBIN CASE POSITION PLATE SCREW NUT
7	446138	ROTATING HOOK BOBBIN CASE POSITION PLATE SCREW WASHER (RIGHT)
8	172336-001	ROTATING HOOK BOBBIN (PLASTIC)
9	421325	ROTATING HOOK BOBBIN CASE COMPLETE
10	313395-900	ROTATING HOOK BOBBIN CASE RETAINING PLATE
11	44892	ROTATING HOOK BOBBIN CASE RETAINING PLATE STUD SPRING
12	514674-451	ROTATING HOOK BOBBIN CASE RETAINING PLATE STUD RETAINING RING
13	447926-932	ROTATING HOOK COMPLETE
14	314049-001	ROTATING HOOK FLANGED BUSHING THRUST WASHER
15	312847	ROTATING HOOK FLANGED BUSHING WASHER
16	314012	ROTATING HOOK BEVEL GEAR COMPLETE
17	931929-004	WASHER, BOBBIN CASE RETAINING
18	137315-453	ROTATING HOOK BOBBIN CASE RETAINING PLATE SCREW



From the library of: Diamond Needle Corp



From the library of: Diamond Needle Corp

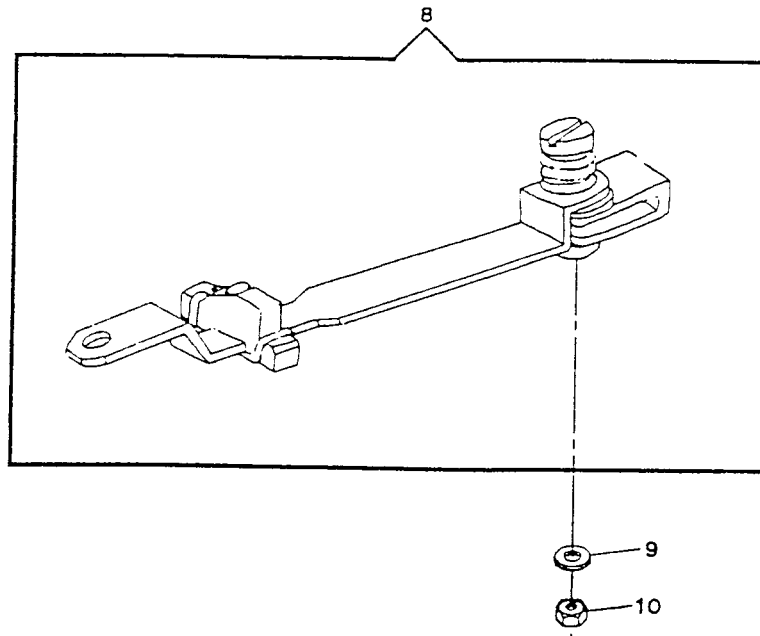
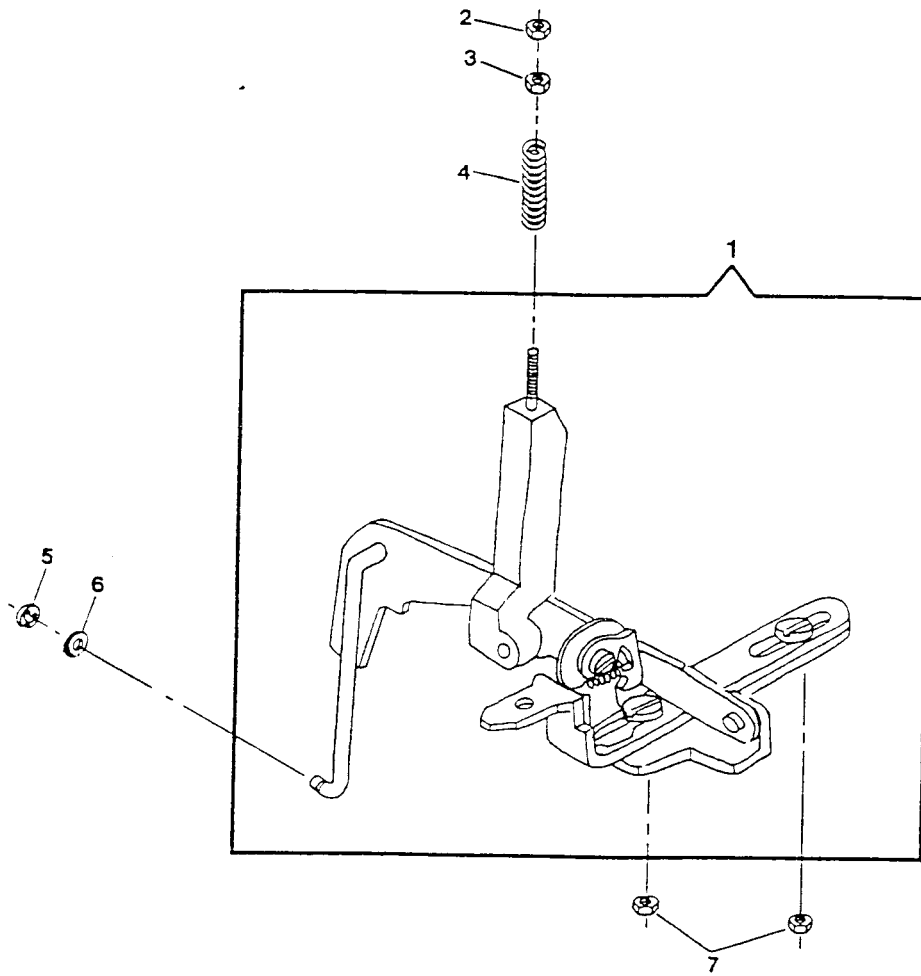
PATTERN, STITCH LENGTH CONTROL & CAM CONTROLLED FEED
MODEL: 93220N603

REF. PART NO.	PART NO.	DESCRIPTION
1	314601-001	PATTERN SELECTOR MODULE
2	113455-001	DISCSELECTOR MECHANISM MOUNTING PLATE SCREW (LEFT AND RIGHT)
3	314013-451	DISC SELECTOR MECHANISM MOUNTING PLATE SCREW (LEFT AND RIGHT)
4	314607-004	BIGHT AMPLITUDE CONTROL LEVER ASSEMBLY
5	113455-014	BIGHT AMPLITUDE CONTROL LEVER STOP ADJUSTMENT SCREW
6	314683	BIGHT AMPLITUDE CONTROL LEVER RETAINER
7	353457	BIGHT AMPLITUDE CONTROL LEVER FRICTION WASHER
8	314611	BIGHT AMPLITUDE CONTROL LEVER SHOULDER WASHER
9	314497	NEEDLE BAR DRIVING ARM SLIDE POSITIONING SPRING

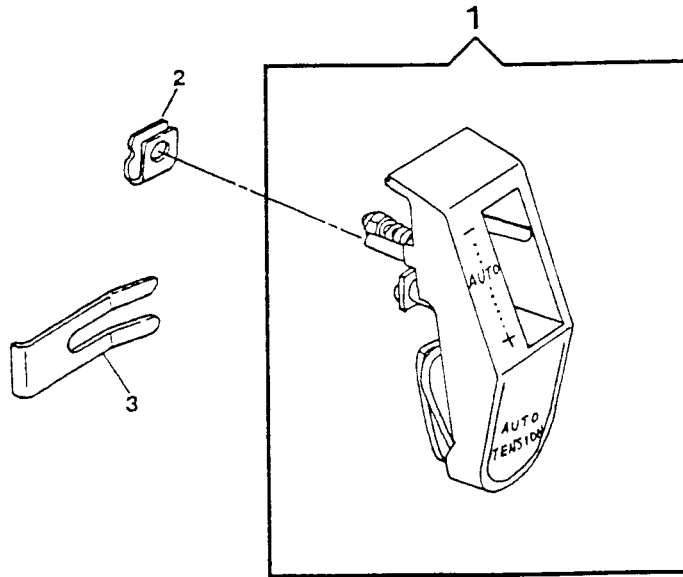
PATTERN, STITCH LENGTH CONTROL & CAM CONTROLLED FEED (CONT.)
MODEL: 93220N603

REF. PART NO.	PART NO.	DESCRIPTION
1	314300-003	FEED REVERSE MECHANISM
2	514674-451	CAM CONTROLLED FEED CONNECTING ROD LOCKING NUT
3	312645-451	CAM CONTROLLED FEED DISC FOLLOWER ACTUATOR CONNECTING ROD ADJUSTING NUT
4	313143	CAM CONTROLLED FEED DISC FOLLOWER ACTUATOR CONNECTING ROD SPRING
5	312702	FEED LEVER CONNECTING LINK RETAINING RING
6	313891	CAM CONTROLLED FEED CONNECTING ROD STABILIZING WASHER
7	514674-451	REVERSE FEED CONTROL LEVER GUIDE SCREW NUT
8	313569-002	STITCH LENGTH CONTROL LEVER ASSEMBLY
9	314712-451	STITCH LENGTH CONTROL LEVER PIVOT LOCK WASHER
10	313177-451	STITCH LENGTH CONTROL LEVER NUT

PATTERN STITCH LENGTH CONTROL AND CAM CONTROLLED FEED (CONT.)



From the library of: Diamond Needle Corp

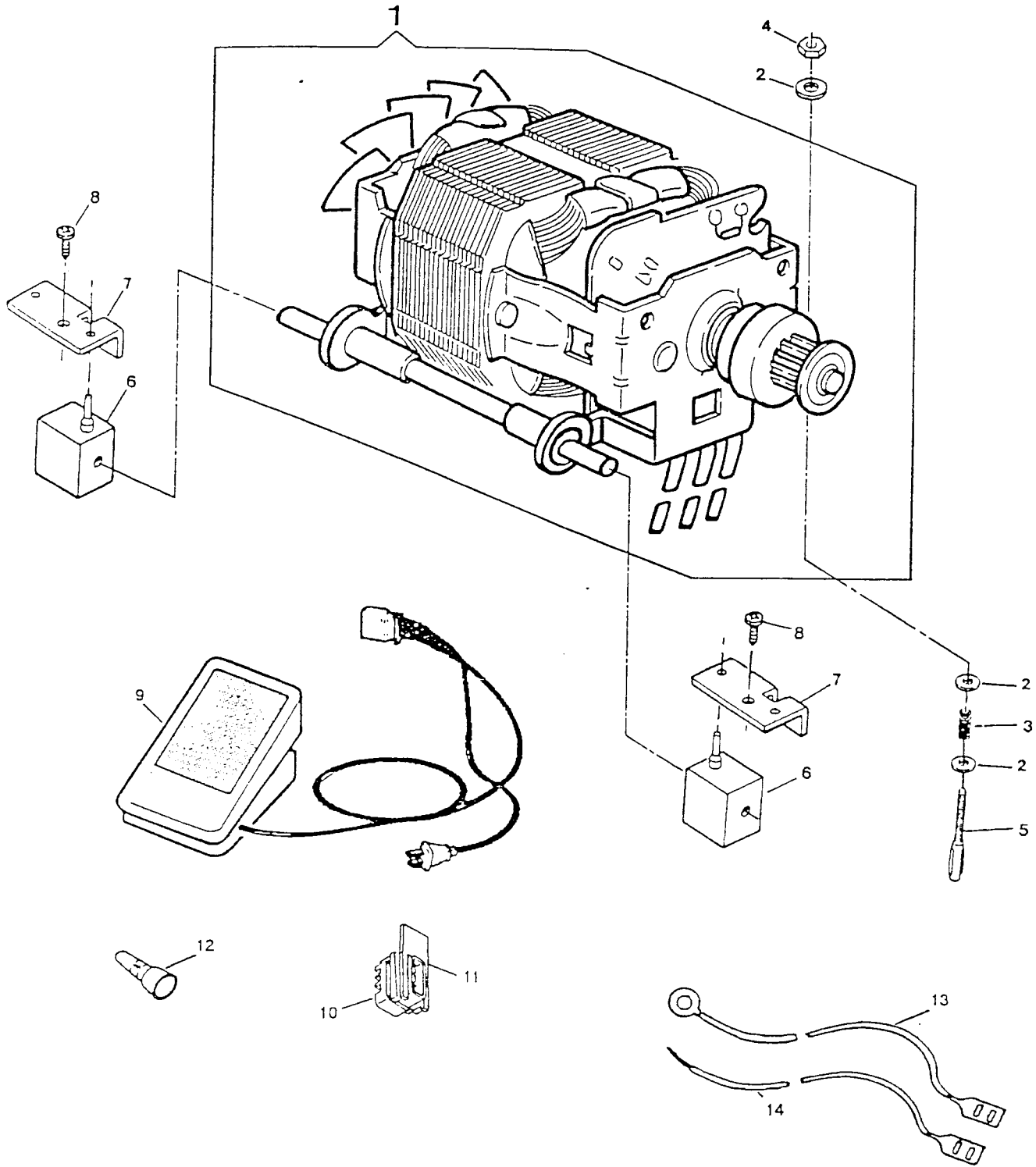


DEMAND RESPONSIVE NEEDLE TENSION SYSTEM
MODEL: 93220N603

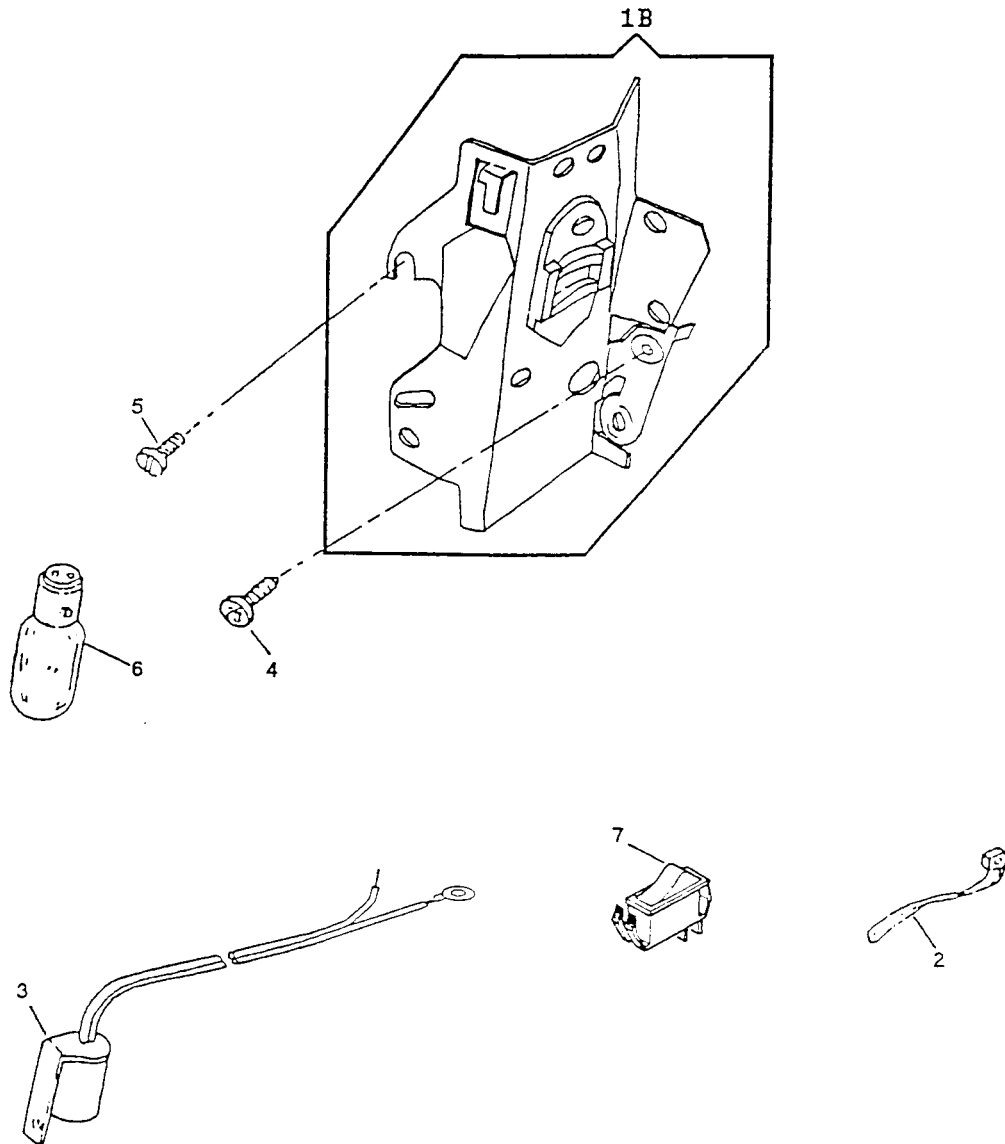
REF. PART NO.	NO.	DESCRIPTION
1	317080-009	THREAD TENSION MODULE
2	313199	TENSION COVER MOUNTING RETAINER
3	313047	TENSION COVER RETAINING CLIP

ELECTRICAL EQUIPMENT
MODEL: 93220N603

REF. NO.	PART NO.	DESCRIPTION
1	317352	MOTOR COMPLETE (120V CARBON PILE)
2	37969	MOTOR ADJUSTING STUD NUT WASHER
3	314058	MOTOR BELT TENSION SPRING
4	53646	MOTOR ADJUSTING STUD NUT
5	988653-001	MOTOR ADJUSTING STUD
6	979329-001	RESILIENT MOUNT
7	988651-001	CLIP
8	113470-004	MOTOR MOUNTING SCREW
9C	319003-003	TRIAC FOOT CONTROLLER ASSEMBLY
10	317421	RECEPTACLE
11	317374-901	APPLIANCE COUPLER HOLDER
12	317355	WIRE CONNECTOR
13	317356-004	LEAD W/TERMINAL ASSEMBLY
14	317356-009	LEAD W/TERMINAL ASSEMBLY



From the library of: Diamond Needle Corp



From the library of: Diamond Needle Corp

ELECTRICAL EQUIPMENT (CONT.)

MODEL: 93220N603

REF. PART NO.	NO.	DESCRIPTION
1B	314823-003	LINT AND HEAD SHIELD ASSEMBLY (120V)
2	540899	TY-WRAP SELF-LOCKING
3	317397-902	LAMP SOCKET ASSEMBLY (120V)
4	113470-003	THREAD TAKE-UP COVER AND LINT/HEAT SHIELD SCREW
5	137813-002	SCREW, LINT AND HEAT SHIELD MOUNTING
6	194120-019	LIGHT BULB (120V) (ALT:542656-005) (DUAL VOLTAGE FOR U.S.A/KOREA/GERMANY & H.K.)
7	979585-207	ROCKER SWITCH (#3913)

OPTIONAL ACCESSORIES
MODEL: 93220N603

REF. PART NO.	NO.	DESCRIPTION
1	313066	THROAT PLATE FOR TRAIHT SEWING
2	353628	PRESSER FOOT PLATE FOR STRAIGHT SEWING
3	161172	SEAM AND BLINDSTITCH HEM GUIDE COMPLETE
5	503277-454	NEEDLE THREADER COMPLETE
6	384037	DARNING AND EMBROIDERY FOOT COMPLTE
7	381066	PRESSER FOOT PLATE FOR BUTTON SEWING
8	507664-467	SPOOL PIN THREAD LEAD-OFF (SMALL, PLASTIC)
9	543106	SHIRRING FOOT PLATE COMPLETE
10	541582	OVEREDGE FOOT COMPLETE
11	137597	FLAT HEMMER PRESSER FOOT COMPLETE
12	317450	ROUND HEMMER PRESSER FOOT COMPLETE
13	317446	OPEN TOE EMBROIDERY PRESSER FOOT
14	317263	PIN TUCK PRESSER FOOT ASSEMBLY
15	161561	RUFFLER
16	421333	EVEN FEED FOOT ASSEMBLY
17	421588	FINGER GUARD
18	313026-453	TWIN NEEDLE SPOOL PIN
19	N2025-014	TWIN NEEDLE (SIZE 14)
20	546357	BUTTON CUTTER/SEAM RIPER
21	161295-451	SCREW DRIVER

